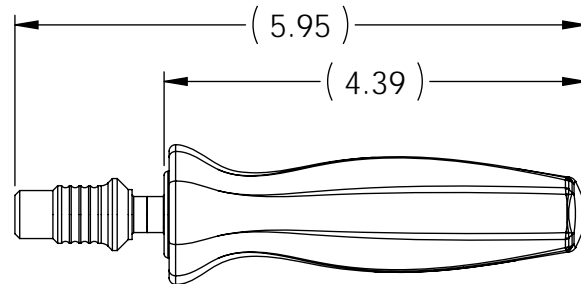
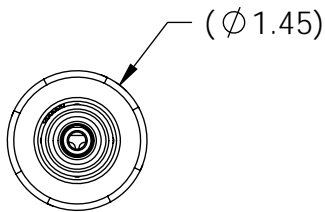


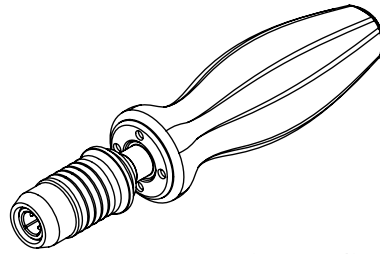
#### Bradshaw Large Axial Torque Limiting Handles

- cam-over type torque limiter
- 8 actuations per revolution
- single setting
- 3-45 in-lb torque range
- torque tolerance  $\pm 5\%$  of setting
- reverse torque to 80 in-lbs max
- using AO adapters, torque should not exceed 40 in-lbs in either direction

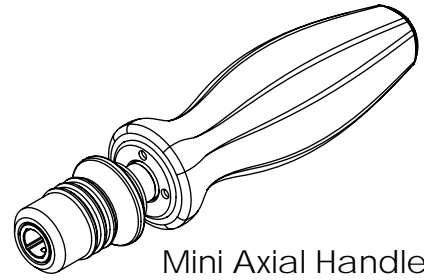


#### Bradshaw Medium Axial Torque Limiting Handles

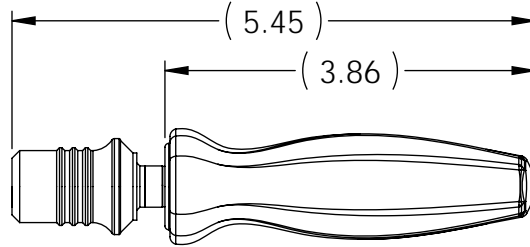
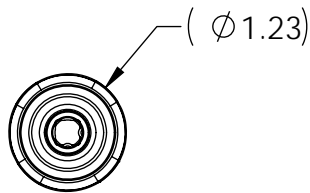
- cam-over type torque limiter
- 8 actuations per revolution
- single setting
- 3-45 in-lb torque range
- torque tolerance  $\pm 5\%$  of setting
- reverse torque to 80 in-lbs max
- using AO adapters, torque should not exceed 40 in-lbs in either direction



Micro Axial Handle  
3/16" Square Adapter

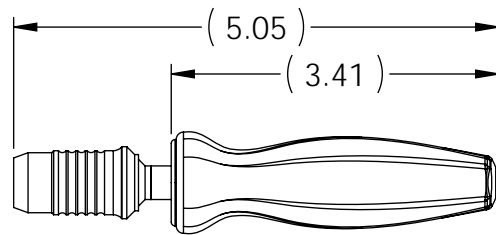
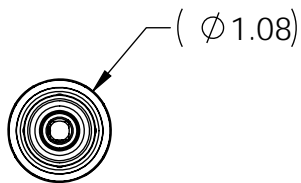


Mini Axial Handle  
1/4" Square Adapter



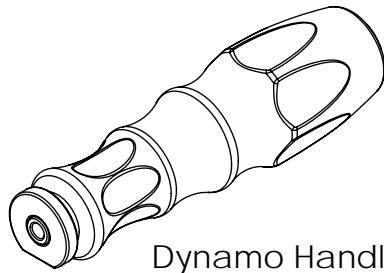
#### Bradshaw Mini Axial Torque Limiting Handles

- cam-over type torque limiter
- 8 actuations per revolution
- single setting
- 3-30 in-lb torque range
- torque tolerance  $\pm 5\%$  of setting
- reverse torque to 80 in-lbs max
- using AO adapters, torque should not exceed 40 in-lbs in either direction
- torque settings between 1 and 3 in-lbs can be achieved with a tolerance of  $\pm 8\%$

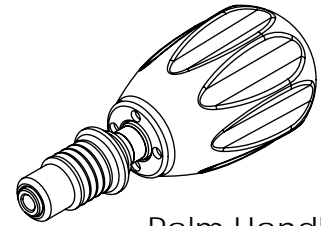


#### Bradshaw Micro Axial Torque Limiting Handles

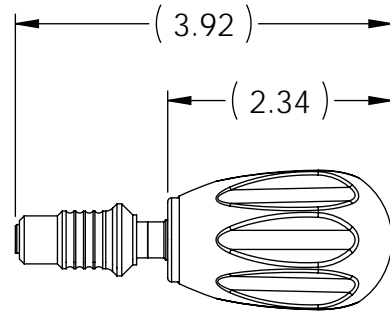
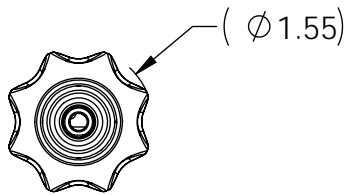
- cam-over type torque limiter
- 8 actuations per revolution
- single setting
- 3-16 in-lb torque range
- torque tolerance  $\pm 5\%$  of setting
- reverse torque to 80 in-lbs max
- using AO adapters, torque should not exceed 40 in-lbs in either direction
- torque settings between 1 and 3 in-lbs can be achieved with a tolerance of  $\pm 8\%$



Dynamo Handle  
AO Adapter

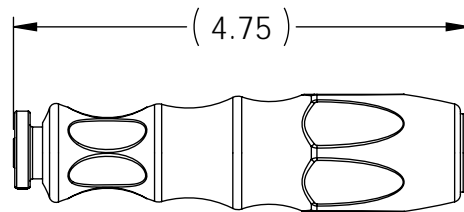
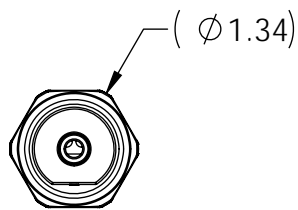


Palm Handle  
AO Adapter



#### Bradshaw Palm Torque Limiting Handles

- cam-over type torque limiter
- 8 actuations per revolution
- single setting
- 3-30 in-lb torque range
- torque tolerance  $\pm 5\%$  of setting
- reverse torque to 80 in-lbs max
- using AO adapters, torque should not exceed 40 in-lbs in either direction
- torque settings between 1 and 3 in-lbs can be achieved with a tolerance of  $\pm 8\%$

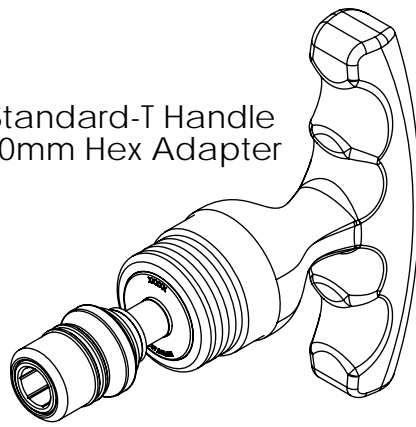


#### Bradshaw Standard Dynamo Torque Limiting Handles

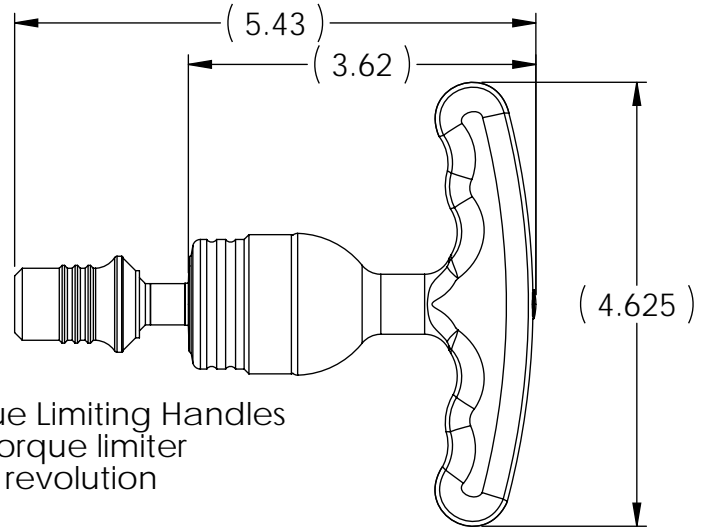
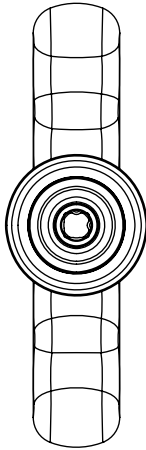
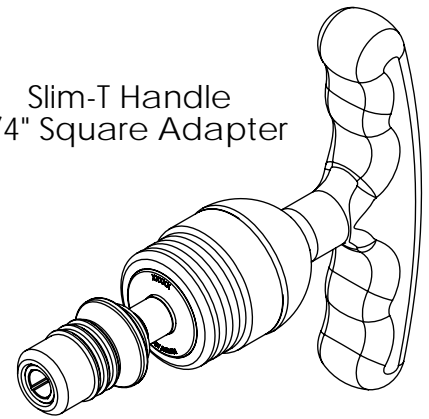
- cam-over type torque limiter
- 8 actuations per revolution
- single setting
- 3-45 in-lb torque range
- torque tolerance  $\pm 5\%$  of setting
- reverse torque to 80 in-lbs max
- using AO adapters, torque should not exceed 40 in-lbs in either direction



Standard-T Handle  
10mm Hex Adapter

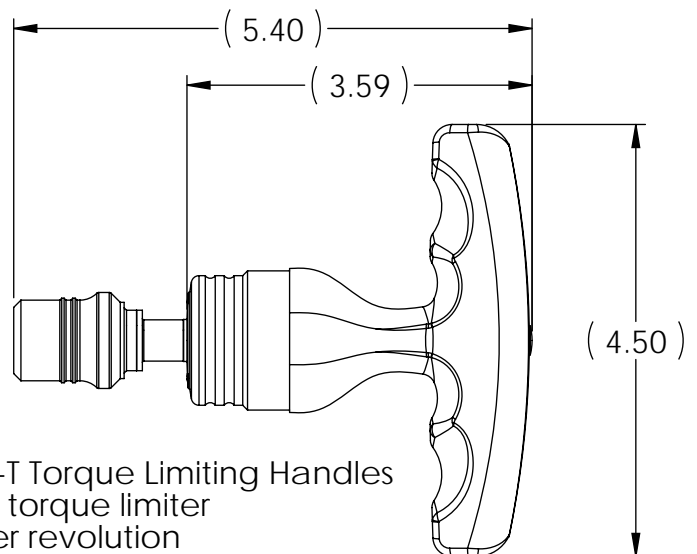
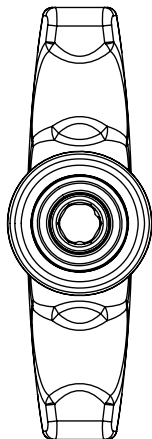


Slim-T Handle  
1/4" Square Adapter



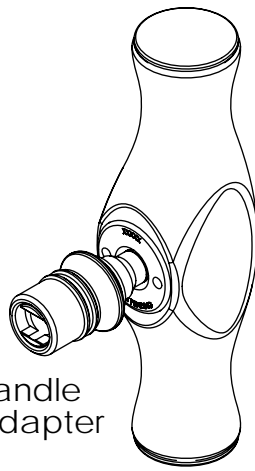
Bradshaw Slim-T Torque Limiting Handles

- cam-over type torque limiter
- 8 actuations per revolution
- single setting
- 15-110 in-lb torque range
- torque tolerance  $\pm 5\%$  of setting
- reverse torque approximately 50% more than torque setting (not recommended)
- using AO adapters, torque should not exceed 40 in-lbs in either direction



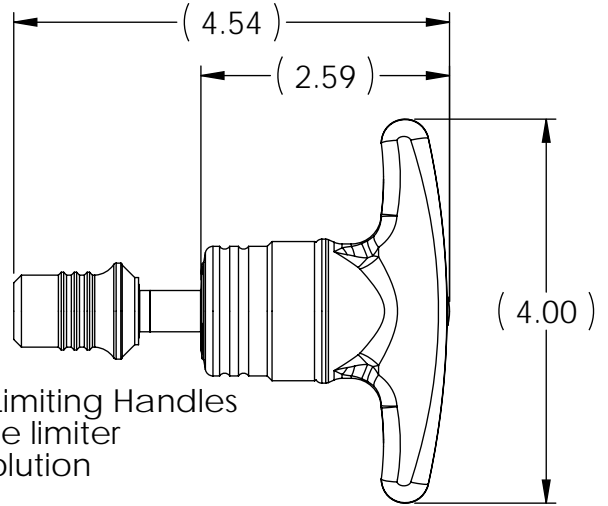
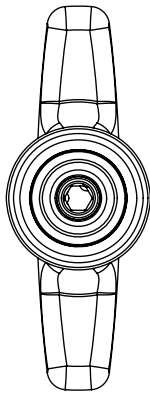
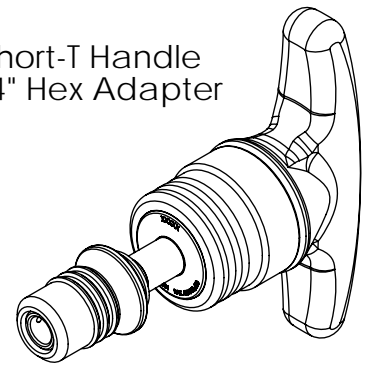
Bradshaw Standard-T Torque Limiting Handles

- cam-over type torque limiter
- 8 actuations per revolution
- single setting
- 15-110 in-lb torque range
- torque tolerance  $\pm 5\%$  of setting
- reverse torque approximately 50% more than torque setting (not recommended)
- using AO adapters, torque should not exceed 40 in-lbs in either direction



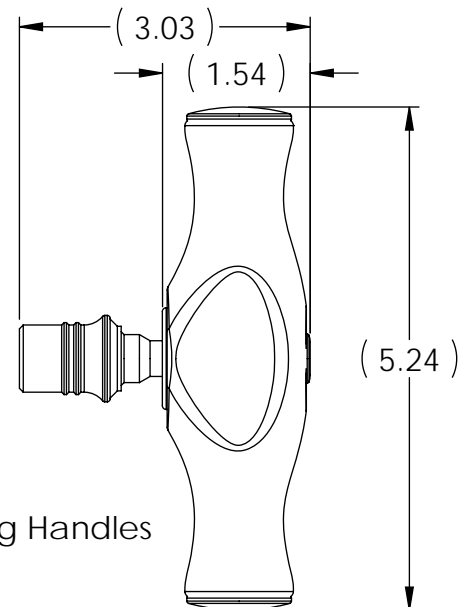
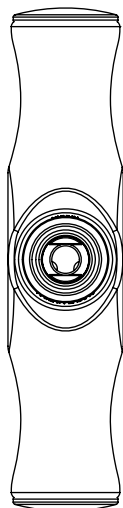
Comfort-T Handle  
Jacobs-Hall Adapter

Short-T Handle  
1/4" Hex Adapter



Bradshaw Short-T Torque Limiting Handles

- cam-over type torque limiter
- 8 actuations per revolution
- single setting
- 15-110 in-lb torque range
- torque tolerance  $\pm 5\%$  of setting
- reverse torque approximately 50% more than torque setting (not recommended)
- using AO adapters, torque should not exceed 40 in-lbs in either direction



Bradshaw Comfort-T Torque Limiting Handles

- cam-over type torque limiter
- 8 actuations per revolution
- single setting
- 20-135 in-lb torque range
- torque tolerance  $\pm 5\%$  of setting
- reverse torque greater than torque setting (not recommended)
- using AO adapters, torque should not exceed 40 in-lbs in either direction